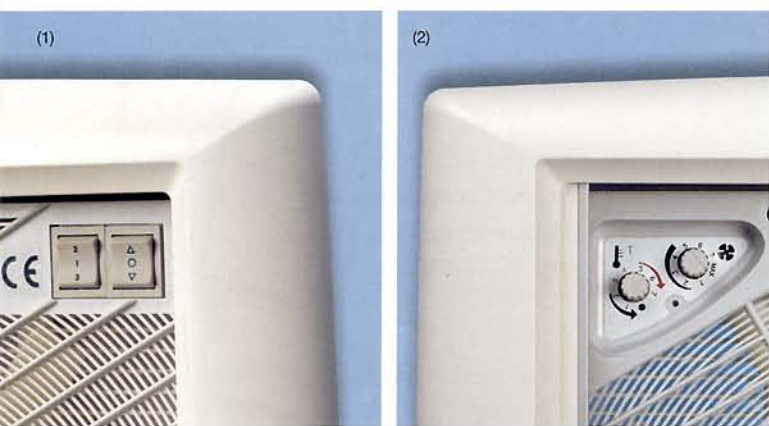




- Installation without drilling
- Stylish design
- Can be opened with closed fly screen
- Wide range of accessories

The Omni-Vent roof light is a modern and user friendly product. Many European manufacturers prefer to build in the Omni-Vent into their motorhomes or caravans. A free air flow is provided by a built in ventilation area of 100cm², even in closed position.

Types The Omni-Vent is available either with or without a 12V fan. Two versions of fans are available:



The standard Omni-Vent 12V fan is a user-friendly model and is available within all budgets. This fan has 3 speeds for both extracting and intake by pushing an easy to use switch. Also available as a retro-fit kit for existing Omni-Vents.

The speed of the Omni-Vent 12V with thermostat can be continuously adjusted! By using the control buttons you can determine the speed of the fan and the temperature. Also available as a retro-fit kit for existing Omni-Vents.



Construction The interior frame and curtain frame have been completely re-designed. Side operating mechanism allows a completely free central opening. The integrated hinge ensures that it is waterproof over the full length (3) also the large dimensions of the outer dome ensure that the water is drained away from the opening.

The roof light has an aerodynamic shape (4) so an extra spoiler is not necessary.

All parts are made of weatherproof synthetic material.

The outer ABS fixation frame guarantees a good adhesion and thus ensures better sealing.



Comfort

Removable fly screen (6) and roller blind (5) are standard and have been completely renewed! The fly screen is standard with the Omni-Vent roof light without 12V ventilator and can be opened very easily. The convenient roller blind is standard with every Omni-Vent and can be rolled up in three phases.

The roof light can be opened whilst keeping the fly screen closed. By using the winding knob the dome can be opened and set to any required position.

An Omni-Vent roof light can be upgraded at a later date with a 12V fan, with or without thermostat.



Extra

In the curtain frame of the new Omni-Vent, optional LED lights can easily be installed (8).

Important! If you own the old type of Omni-Vent (grey), you will first need to replace the curtain frame with the new version. The lights are easily turned on or off by means of a switch.

Art.nr. retrofit kit 23600200

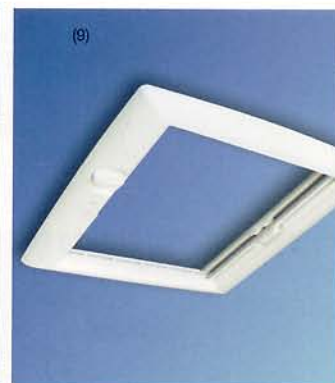
You can replace your old inner frame in no time by a new version (9) with a retractable fly screen and roller blind! Replacement set: art.nr.23600100

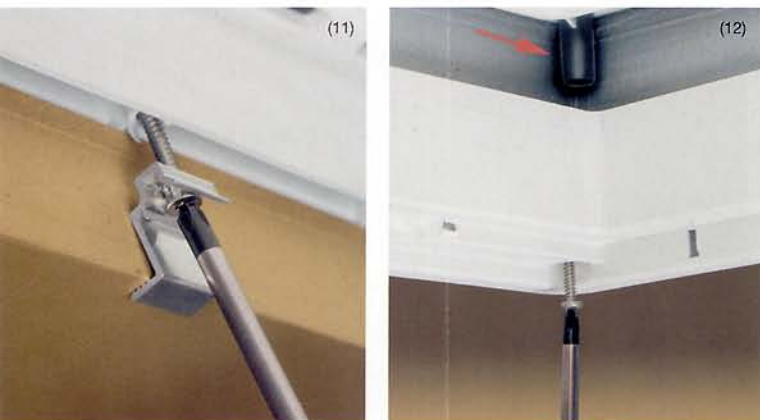
The Omni-Vent is available without a fan.

The 12V kit (10) can be purchased at a later date should you want to install a fan afterwards! Two versions are available (with or without thermostat) and both can be installed by using only 4 screws in your existing roof light.

The dome of an older Omni-Vent (< 2004) can be replaced with a new transparent dome without any problems and without having to change the inner and outer frame!

Retrofit roof light: art.nr. 23330020.





Installation

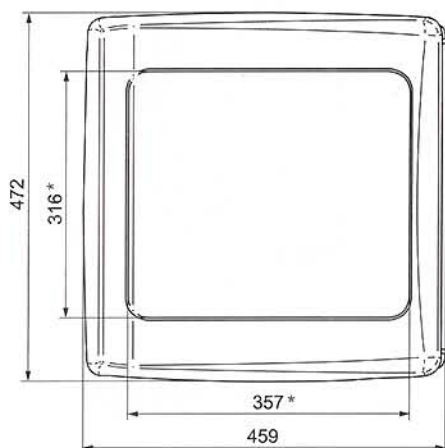
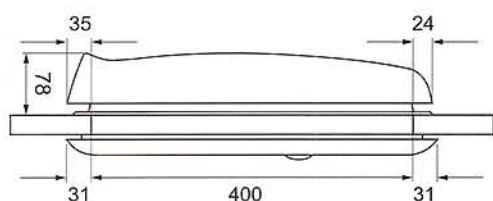
The roof light is mounted by means of special clamps (11) so that drilling through the roof is not necessary.

This offers the best guarantee against water ingress!

The standard guidance pieces (12) simplify the installation of the Omni-Vent into roof thicknesses from 25mm to 50mm. For roof thicknesses from 40mm to 60mm there is an optional set available: art.nr.23020000.



Looking for an Omnistor dealer? On our website you'll find addresses throughout Europe!
www.omnistor.com > contact



* not applicable for version in white

Technical data

aperture size	400 x 400 mm
inner frame	458 x 462 mm
height (closed)	78 mm
roof thickness	25 - 60 mm
max. opening angle	40°
material dome white	polypropylene
mater. dome transparent	polycarbonat (Lexan)
material inner frame	polystyrene
material curtain frame	ABS
material outer frame	ASA

art.nr.	TYPE	WEIGHT
23702100	Omni-Vent roof light white	3,0 kg
23720200	Omni-Vent roof light transp.	3,0 kg
238*2100	Omni-Vent 12Volt	4,7 kg
239*2100	Omni-Vent 12Volt thermostat	4,7 kg

* 0 = white - 2 = transparent

Ventilators

consumption Omni-Vent 12V	0,8 A - 5,0 A
consumption with 12V thermostat	0,2 A - 5,0 A
max. air flow	20m ³ / min.
diameter ventilator	300 mm